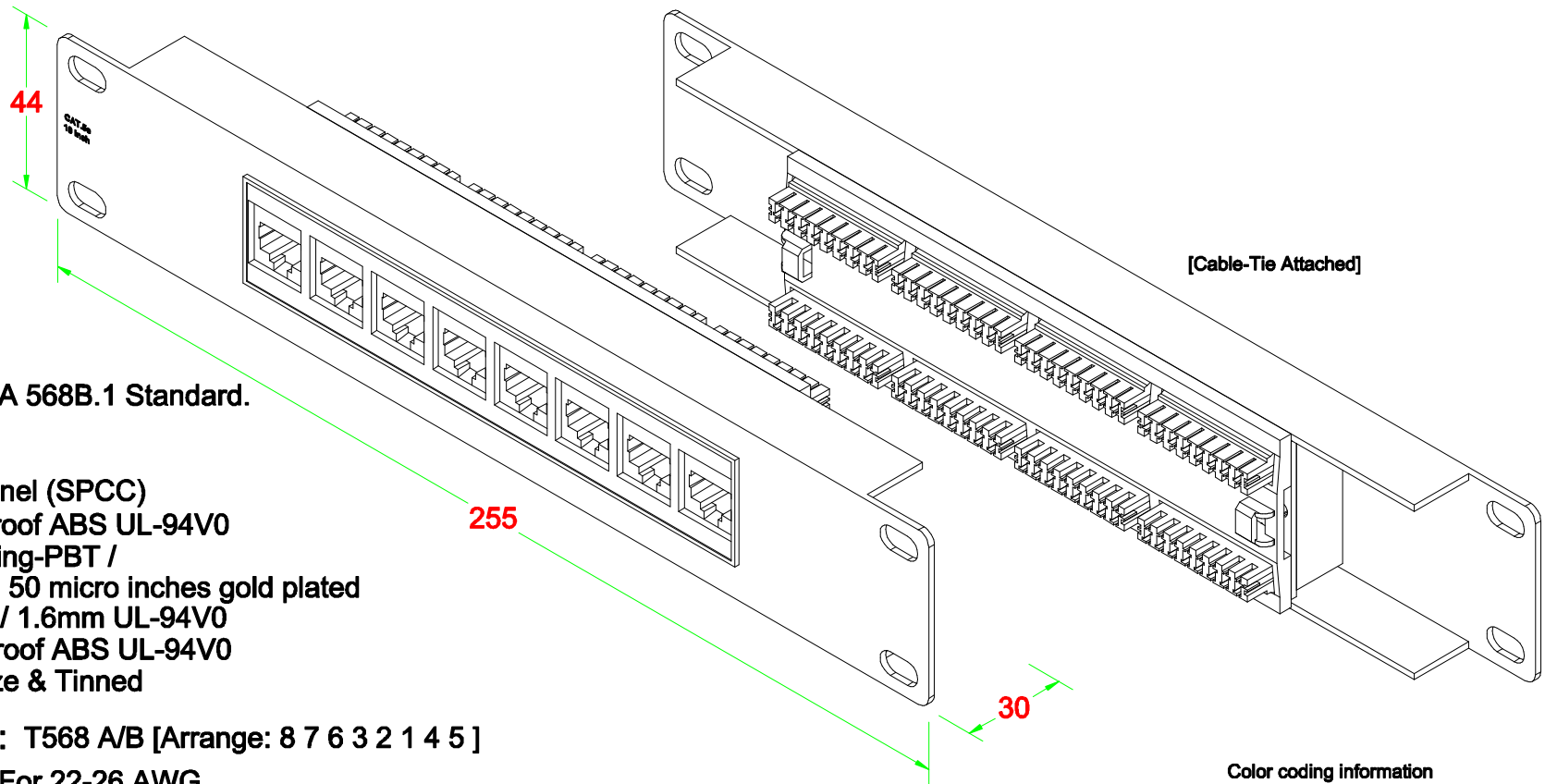


Cat.5e 8Port 10" Patch Panel (UTP) / Dual Type



Performance:

Meets Cat.5e EIA/TIA 568B.1 Standard.

Materials:

Panel : Metallic Panel (SPCC)

Plastic Body : Fireproof ABS UL-94V0

RJ-45 Jack : Housing-PBT /
8P8C 50 micro inches gold plated

PCB : FR-4 / 1.6mm UL-94V0

IDC Body : Fireproof ABS UL-94V0

IDC Pin : Bronze & Tinned

Label Color Code: T568 A/B [Arrange: 8 7 6 3 2 1 4 5]

IDC Description: For 22-26 AWG.

For 110 or Krone punch-down Tool

Electrical Specifications:

Insulation Resistance : 500M ohms (min.)

Contact Resistance : 20m ohms (max.)

Current Rating : 1.5 Amps .

DC Resistance : 0.1 ohm (max.)

Withstanding Voltage : 1000 VAC RMS @ 60Hz / 1 min.

Mechanical Specifications:

IDC Punch Down Cycle : Over 25 Cycles (min.)

RJ-45 Jack Insertion Cycle : Over 2000 Cycles (min.)

Operation Temperature : -40 ~ +70 degree / C

[Cable-Tie Attached]

Color coding information

T568B:	T568A:
1—WH/OR	1—WH/GN
2—OR	2—GN
3—WH/GN	3—WH/OR
4—BL	4—BL
5—WH/BL	5—WH/BL
6—GN	6—OR
7—WH/BR	7—WH/BR
8—BR	8—BR

DRAW NO:		ITEM NO:	EPLE-08D0X
	APPR	CUSTOMER:	
UNIT:	m/m	DATE:	
SCALE:	DESIGN	TOLERANCE:	· ± 1 · X ± 0.2 · XX ± 0.15