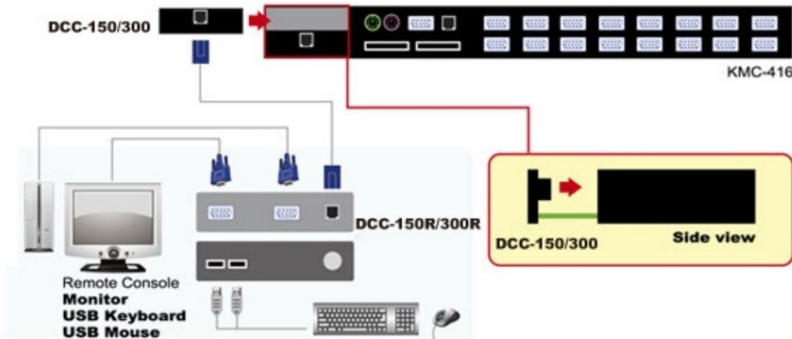


Main Features

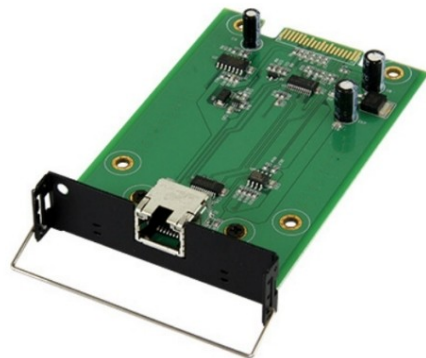
- Use CAT5, CAT5e, CAT6 Ethernet cable
- Distance of up to 500/1000 feet
- Auto adjust video signal boost features ensure that the video signal remains clear.
- Hot pluggable, Easily install in minutes and auto adjust for video signal
- Compatible with DOS, MS Windows, Linux, Unix and Netware
- No software installation

Diagram



Specification

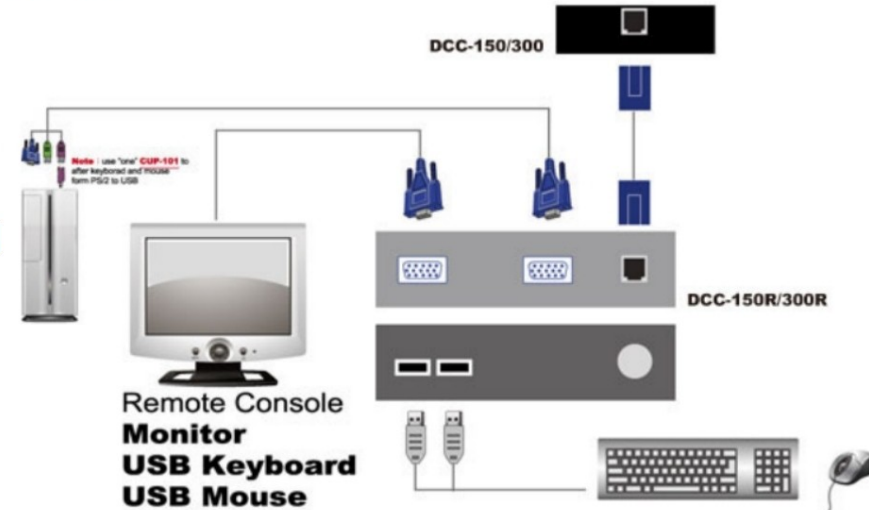
Functions	DCC-150/300
RJ-45 port	1 for CAT 5 cables
Weight	100(g)
Dimension (L × W × H)	108 × 72 × 20(mm)



Main Features

- Extend console distance up to 500/1000 feet(150/300m)
- Using CAT5e, or CAT6 cable easy to install and eliminates troublesome cables,
- Auto adjustable video equalization and video signal boost features for the best possible video quality
- No software required, no DIP-switch setting needed
- Hot pluggable, easily installation and move around by using 3 in one T-Dongle(DCC-001) and standard 3-in-one KVM switch cable.
- Build in 2 to 1 KVM switch with OSD(On-Screen Display)
- Switches PCs by push button or keyboard "Hot Key" commands
- Programmable hotkey, eight characters user name and password protection.
- Audible feedback when switching
- LED indicators for computer status

Diagram



Specification

Features	DCC-150R/300R
USB port	2 USB ports for keyboard and mouse Note: PS2 keyboard and mouse user needs an USB to PS2 converter.
VGA	1 VGA monitor port
DB15	Connect to local PC using special cable
RJ45 (Cat5)	Connect CAT5 cable to remote PC or KVM system
2 LED light	Local or Remote indicator
Port selection	On Screen Display (OSD) Menu, Hot Key, Push Button
Hotkey	programmable
Security	Provide ACL (Access Control List) security function,
OSD	User Name, Password, Hot key selection.
Keyboard/ Mouse Emulation	PS/2 or USB
VGA Resolution	1280 X 1024
Power Adapter	DC 9V, 500mA
Housing	Metal
Weight	370g
Dimension (L x W x H)	160 X 70 X 30(mm)